

GRAB BARS

GW11 22 04 01 135° Angled bar 300x300

GENWEC[®]
WASHROOM EQUIPMENT & COMP.



Product description

135° Angled bar

1.5 mm AISI 304 stainless steel tubing with 32 mm outside diameter.

3 mm AISI 304 stainless steel support.

Brushed finish.

Anti-vandalism product. Heavy duty.

Technical specifications:

135° Angled bar with two points of support located on the endings. The bar consists of an AISI 304 stainless steel tube with 32 mm of diameter and 1.5 mm of thickness bended 90° on the endings. The two mounting flanges are made of zinc-plated stainless steel plate with anticorrosion treatment of 2.5 mm of thickness and 75 mm of diameter. The endings of the tube and the mounting flanges are threading. Mounting flanges have three holes for wall attachment and snap flange covers with 0.5 mm of thickness. The brushed stainless steel assembled unit has suitable resistance to corrosion. The bar is fixed to the wall and the floor by means of 6 nylon wall plugs 8X50mm and AISI 304 stainless steel screws 5X60. Grab bar will support loads in excess of 120Kg if properly installed. The grab bar code is GW11 22 04 01 manufactured by GENWEC WASHROOM S.L. – Av. Joan Carles I, 46-48 ES 08908 L'Hospitalet de Llobregat, Barcelona (Spain).

Technical characteristics

Product specifications

AISI 304 stainless steel tubing with \varnothing 32 mm and 1,5 mm of thickness.

Zinc-plated carbon steel mounting flanges with 3 mm of thickness.

Zinc-plated carbon steel snap flange covers with 0.5 mm of thickness.

135° Angle

No feed TIG Welding.

Brushed finish.

Grab bar supports 120 Kg if properly fixed.

Packaging specifications

Packaging: Individual box and plastic bag

Package measures: 650 x 530 x 110 mm.

Carton units: 10

Pallet units: 100 (*)

(*)Maximum height 1,1m.

GENWEC WASHROOM S.L. reserves the right to modify and/or rectify products and their specifications without prior notice.

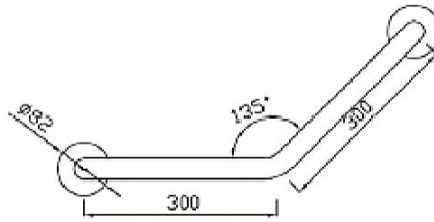
Measures: \pm 3%

Revised by: CSS_V1 (07/2017)

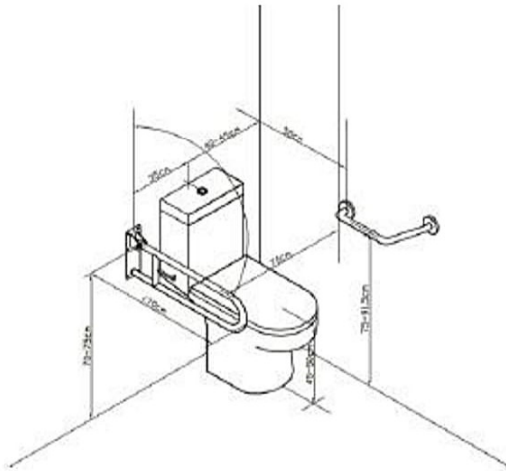
GRAB BARS

GW11 22 04 01 135° Angled bar 300x300

GENWEC®
WASHROOM EQUIPMENT & COMP.



Installation advice



Electrical isolation:

GENWEC WASHROOM, S.L. has electrical isolation kits for all grab bars manufactured in stainless steel. The kit code for straight bars is GW11 01 90 00.

GENWEC WASHROOM S.L. reserves the right to modify and/or rectify products and their specifications without prior notice.

Measures: $\pm 3\%$

Revised by: CSS_V1 (07/2017)

GRAB BARS

GW11 22 04 02 135° Angled bar 300x300

GENWEC[®]
WASHROOM EQUIPMENT & COMP.



Product description

135° Angled bar

1.5 mm AISI 304 stainless steel tubing with 32 mm outside diameter.

3 mm AISI 304 stainless steel support.

Polished finish.

Anti-vandalism product. Heavy duty.

Technical specifications:

135° Angled bar with two points of support located on the endings. The bar consists of an AISI 304 stainless steel tube with 32 mm of diameter and 1.5 mm of thickness bended 90° on the endings. The two mounting flanges are made of zinc-plated stainless steel plate with anticorrosion treatment of 2.5 mm of thickness and 75 mm of diameter. The endings of the tube and the mounting flanges are threading. Mounting flanges have three holes for wall attachment and snap flange covers with 0.5 mm of thickness. The polished stainless steel assembled unit has suitable resistance to corrosion. The bar is fixed to the wall and the floor by means of 6 nylon wall plugs 8X50mm and AISI 304 stainless steel screws 5X60. Grab bar will support loads in excess of 120Kg if properly installed. The grab bar code is GW11 22 04 02 manufactured by GENWEC WASHROOM S.L. – Av. Joan Carles I, 46-48 ES 08908 L'Hospitalet de Llobregat, Barcelona (Spain).

Technical characteristics

Product specifications

AISI 304 stainless steel tubing with Ø32 mm and 1,5 mm of thickness.

Zinc-plated carbon steel mounting flanges with 3 mm of thickness.

Zinc-plated carbon steel snap flange covers with 0.5 mm of thickness.

135° Angle

No feed TIG Welding.

Polished finish.

Grab bar supports 120 Kg if properly fixed.

Packaging specifications

Packaging: Individual box and plastic bag

Package measures: 650 x 530 x 110 mm.

Carton units: 10

Pallet units: 100 (*)

(*)Maximum height 1,1m.

GENWEC WASHROOM S.L. reserves the right to modify and/or rectify products and their specifications without prior notice.

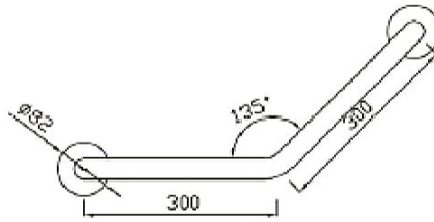
Measures: ±3%

Revised by: CSS_V1 (11/2017)

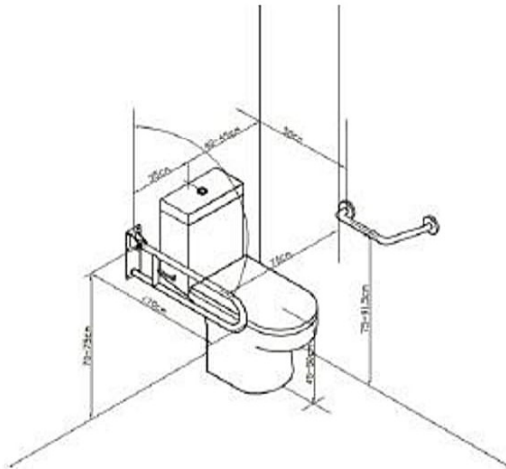
GRAB BARS

GW11 22 04 02 135° Angled bar 300x300

GENWEC®
WASHROOM EQUIPMENT & COMP.



Installation advice



Electrical isolation:

GENWEC WASHROOM, S.L. has electrical isolation kits for all grab bars manufactured in stainless steel. The kit code for straight bars is GW11 01 90 00.

GENWEC WASHROOM S.L. reserves the right to modify and/or rectify products and their specifications without prior notice.

Measures: $\pm 3\%$

Revised by: CSS_V1 (11/2017)