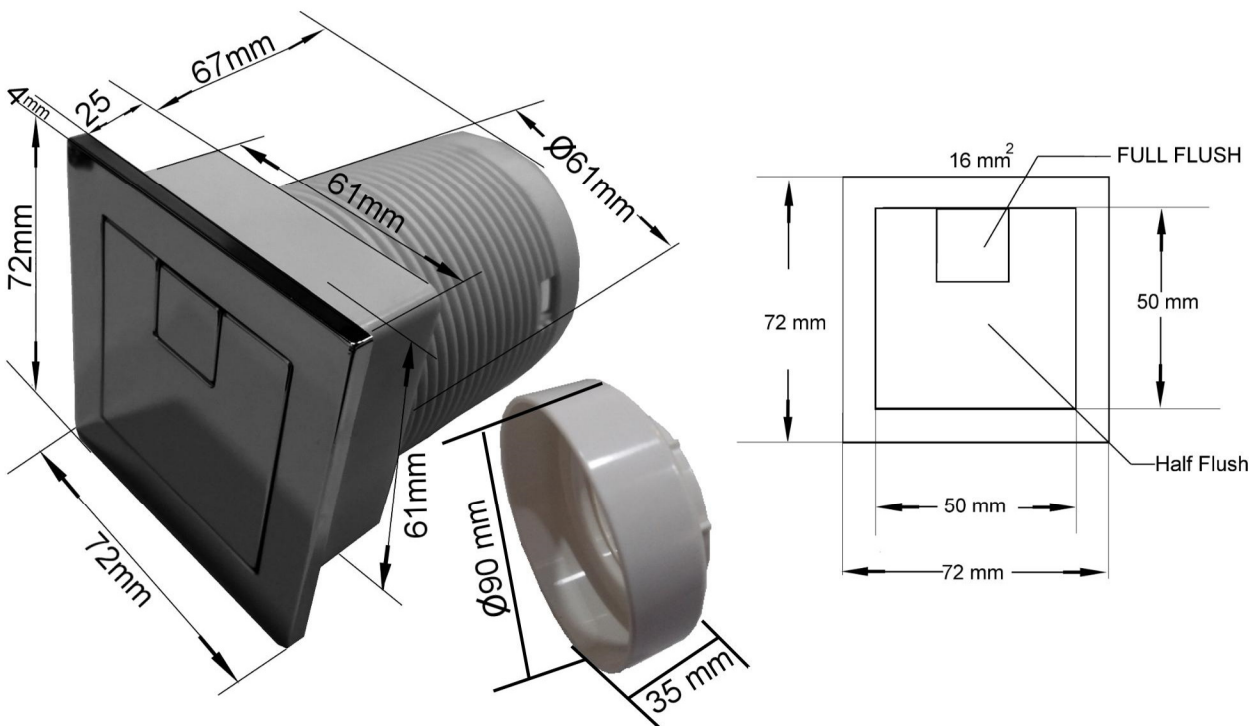


● Image Photo Only



KE1102
Matt Chrome

| | |
|--------------|-------------------------------|
| Model: | KE1101 / KE1102 |
| Description: | Pneumatic Dual Flush Actuator |
| Brand: | K&E |
| Finish: | Chrome / Matt Chrome |
| Dimension: | 72x72 mm, Deep : 92 mm |



Threaded fixing part

* Suitable for "Valsir" Winner S Concealed Cistern
(VS0853275HK / VS0853058HK)
Or "K&E" KE1000 Cistern.