



## Wall built-in cistern TSR

Wall built-in-cistern TSR for front flushing, two-stage flush technology, water connection 1/2".

Specially designed for back-to-wall toilets.

Item No.

**164-14400500-00**

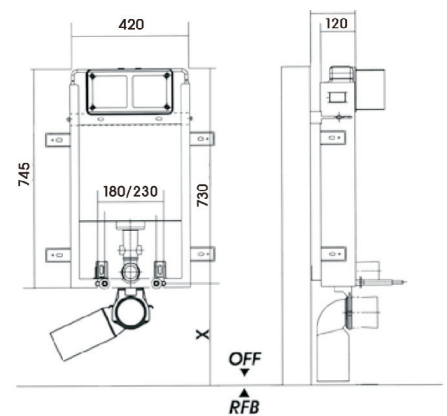
TSR Wall Built-in Cistern

Hong Kong WSD Approval No.

Outlet Valve C20130201F  
Inlet Valve C20130006F

Text for invitation to tender:

TSR concealed cistern for front wall installation specially designed for back-to-wall toilets, comprising of: U-form, chrome element, with fastening as depth adjustment, inner fittings with dual flush function, designed for reopening, condensate isolation, pre-mounted water



connection and corner valve 1/2", with PE wall WC bracket DN90/110, 295mm long, WC connection set, foot support, fastening material, armature group I, DIN tested, without fastening plate.