



Wall built-in cistern SLS 820

Individual element for wall wc with wall built-in-cistern SLS, twin flushing with front flushing or with flushing from above, water connection 1/2".

Available in height 820mm.

Item No.

173-10010300-00

SLS 820

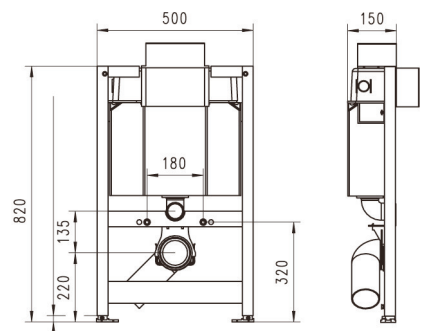
Hong Kong WSD Approval No.

Outlet Valve C20130201F

Inlet Valve C20130006F

Text for invitation to tender:

Self-supporting as front wall installation for solid construction wall, comprising of: wall built-in-cistern SLS with twin flushing with front flushing or with flushing from above, condensation water insulated, pre-mounted with twin flushing, with water connection 1/2", powder coated frame construction with floor attachments, frame width



500mm, 20-200mm vertically adjustable for floor construction RFB-FFB, with PE wall bracket DN90/90, 295mm long, with PP adapter set DN90/110, WC-connection-set DN 90 for wall-hanging WC, incl. complete assembly and fastening material, without wall holder, without flush plate.