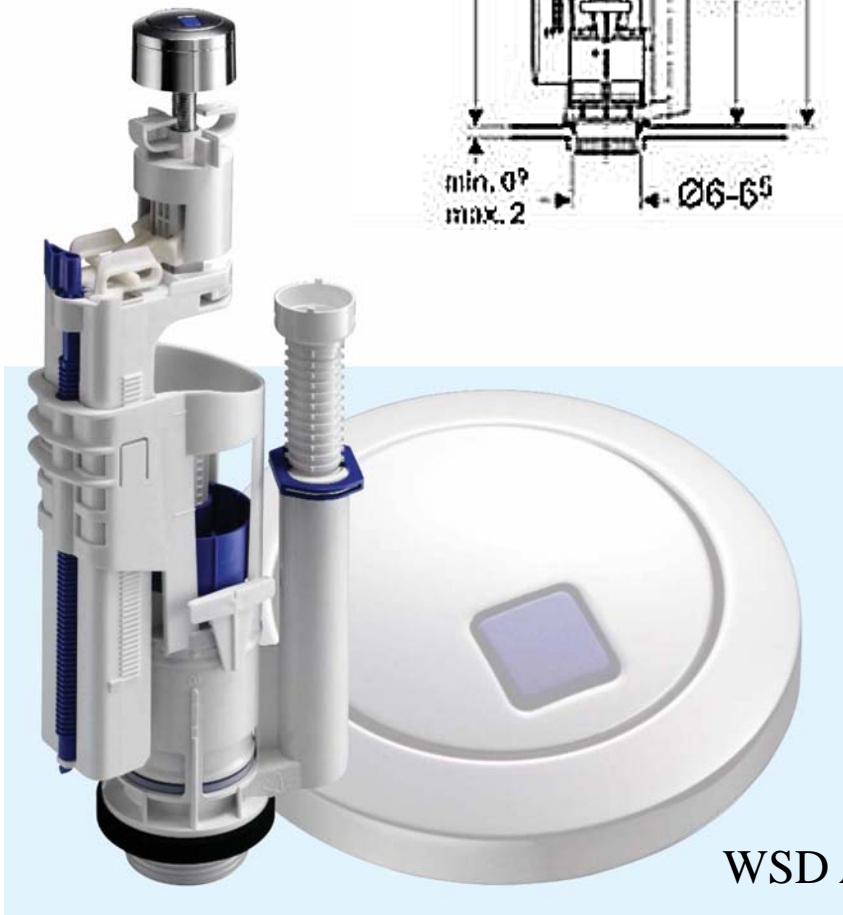
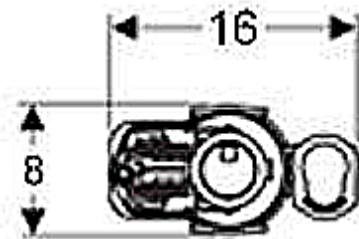
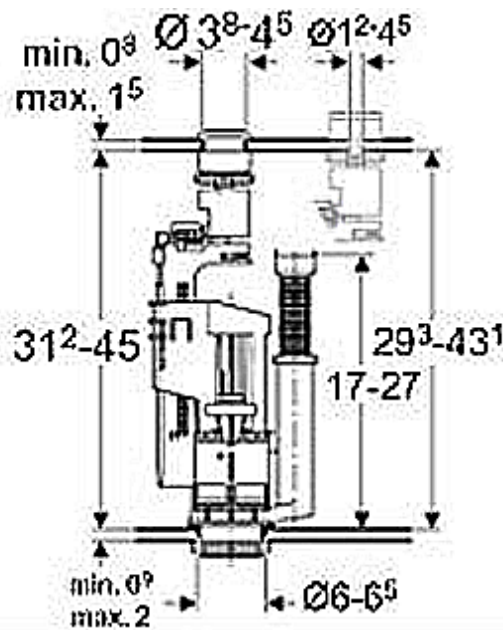
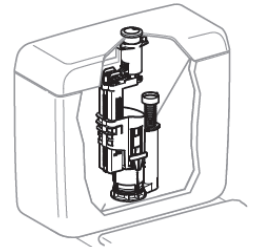


# 282.350.KD.1



## TWICO II



WSD Approval Number B20072005

 **GEBERIT**