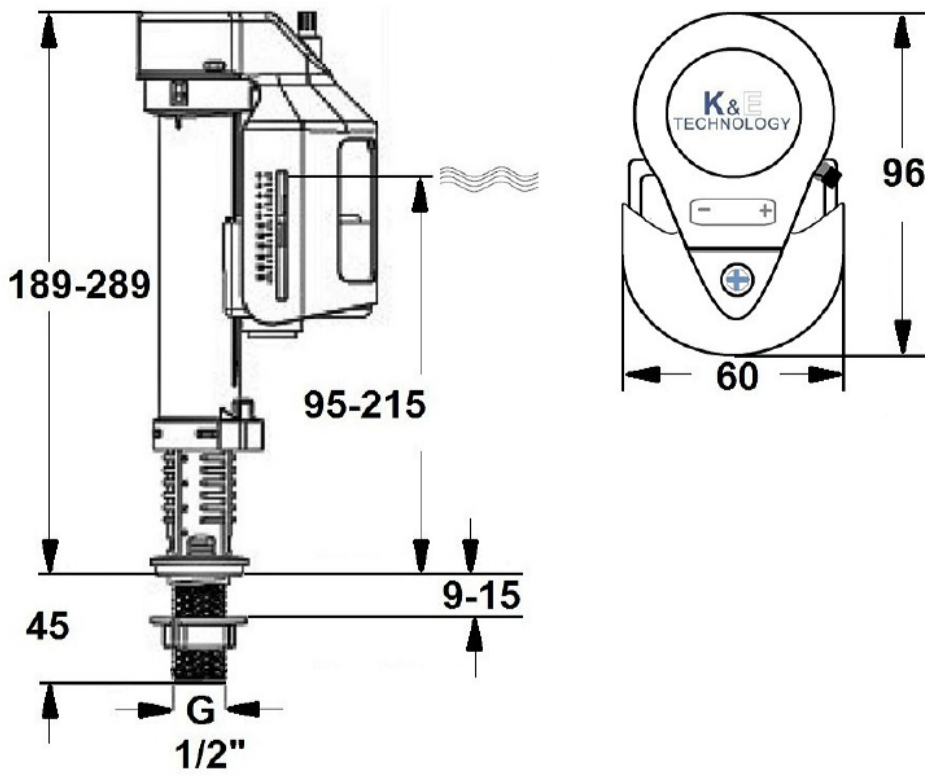


K&E TECHNOLOGY **FV120 Filling Valve without Refill** **1/2" Inlet Valve for Bottom Connection**



WSD Approval Number C20120141F