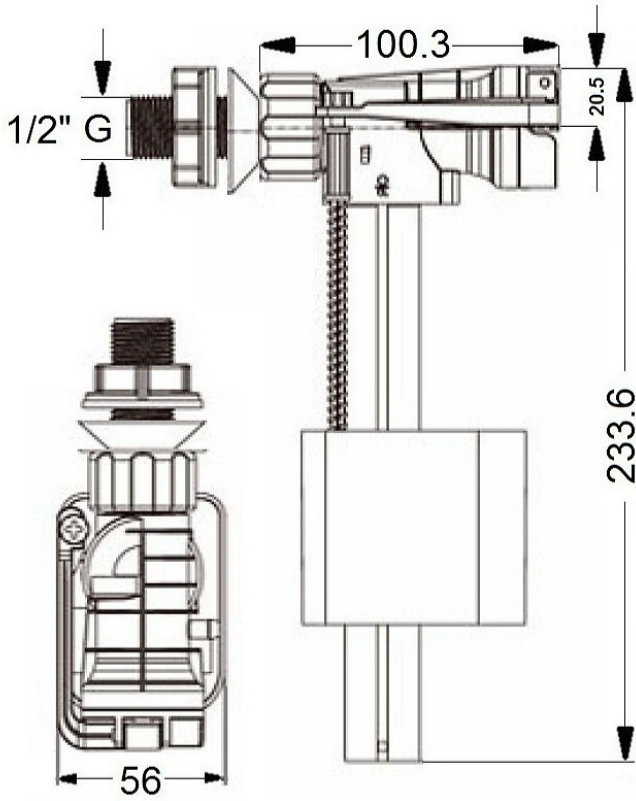




# FV180 1/2" Plastic Side Inlet Float Operated Valve without Refill



WSD Approval Number C20130006F