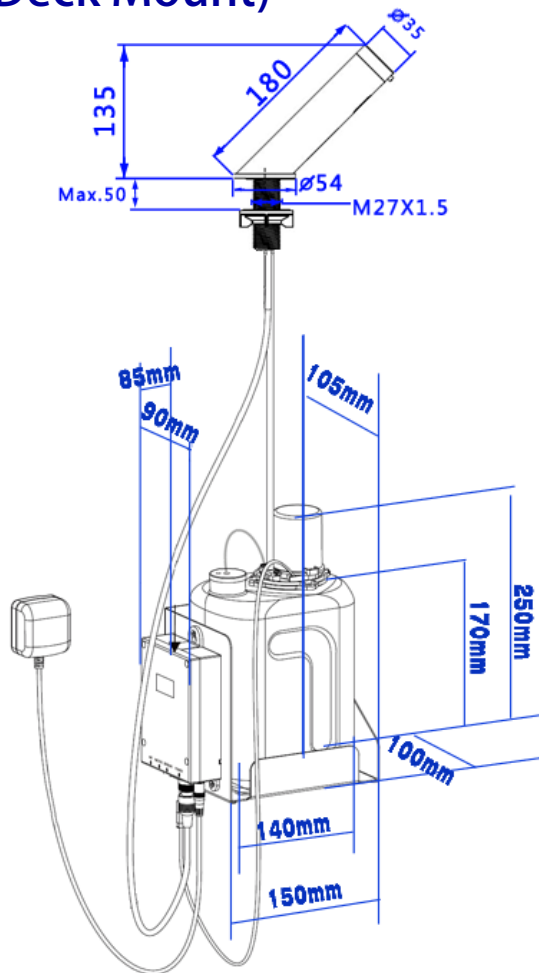


Soap Dispenser Series

SPECIFICATION

SD180 Automatic Soap Dispenser (Deck Mount)



Specification		Specification Details	Content
General	1.1	Warranty	One Year Against Defect
	1.2	Activated Mode (Auto/Manual)	Infrared Sensor Automatic
Appearance	2.1	Finish	Chrome
Electronic	3.1	Power Type	AC 110—240V
	3.2	Active Current	220V
	3.3	Adjustable Sensing Distance	Auto
	3.4	Adjustable Sensing Method	Remote Adjustable
	3.5	Required Sensing Time of Operation	0.5~1 sec
Soap Related	5.1	Supply Type	Soap Tank
	5.2	Capacity	2L
	5.3	Soap Output	Soap